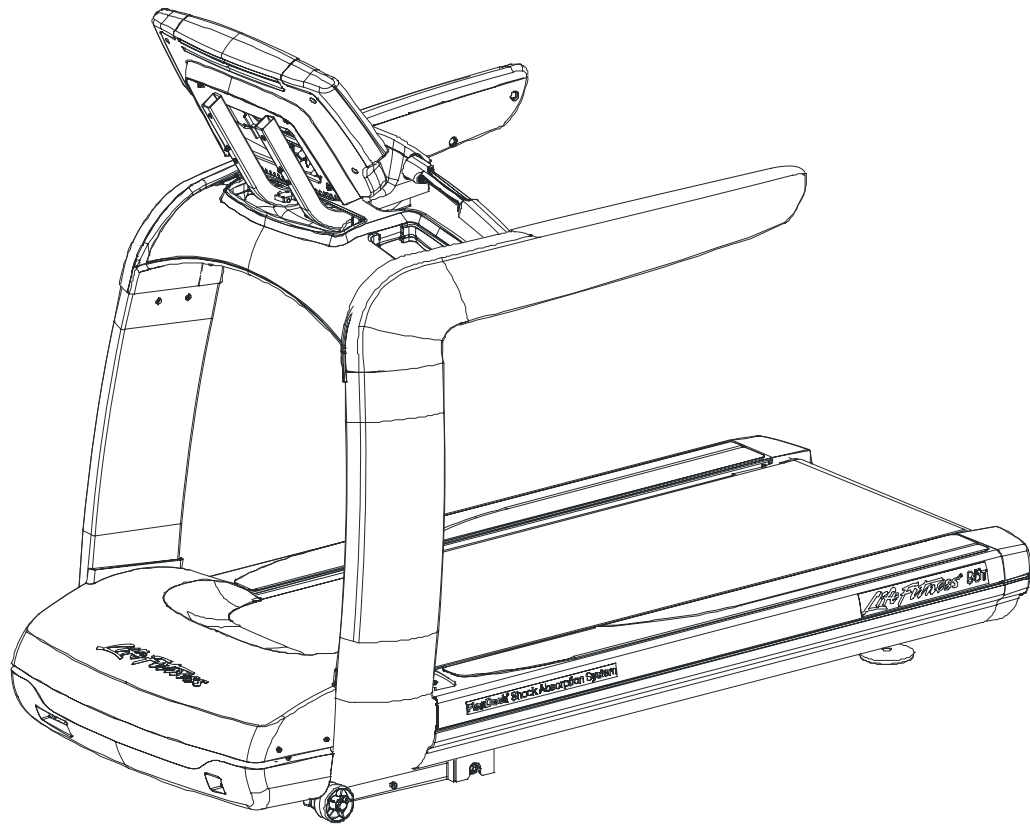


# LifeFitness

95T-XXXXX-02 Treadmill



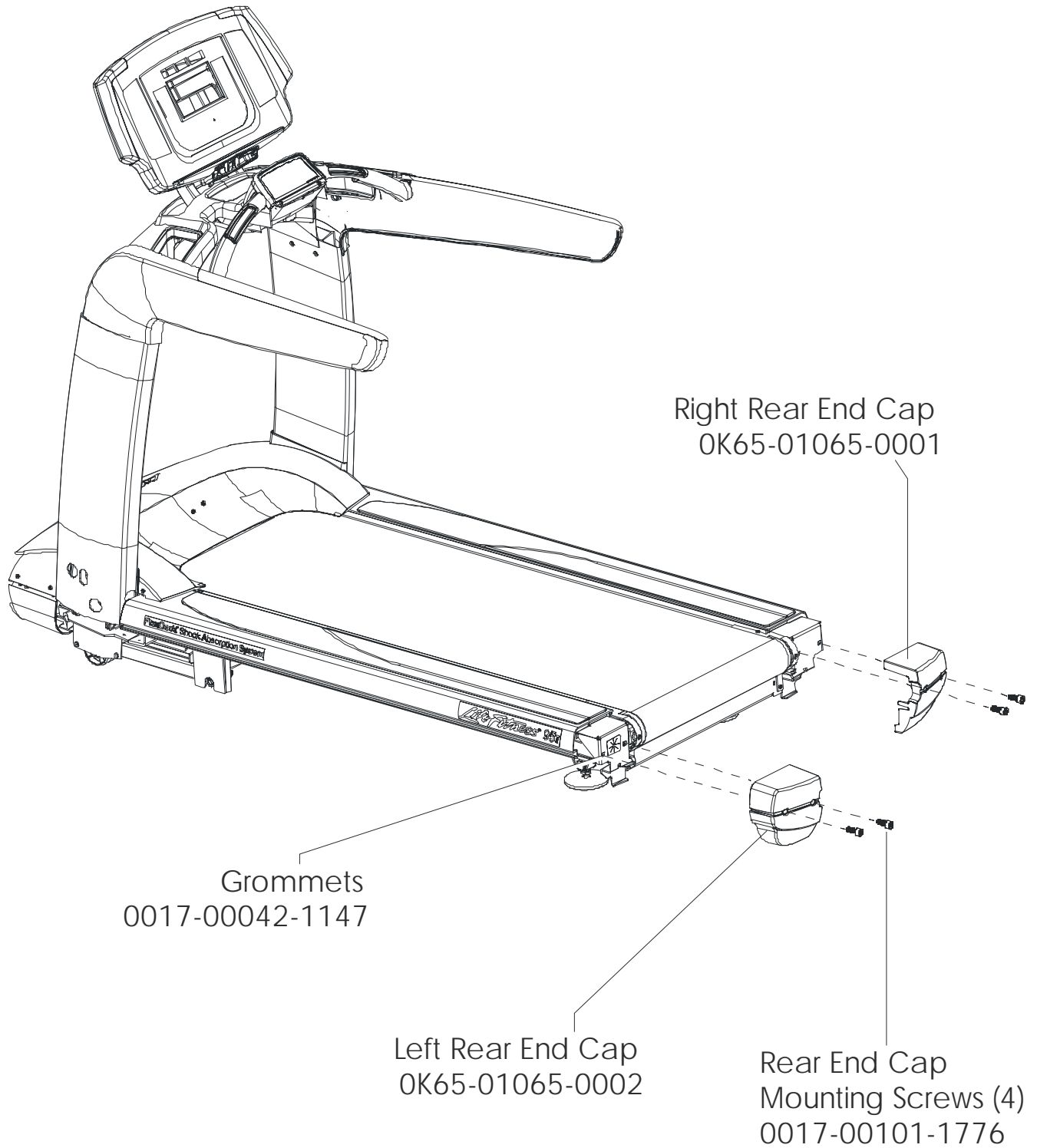
Customer Support Services  
**PARTS MANUAL** rev 22 May 2008

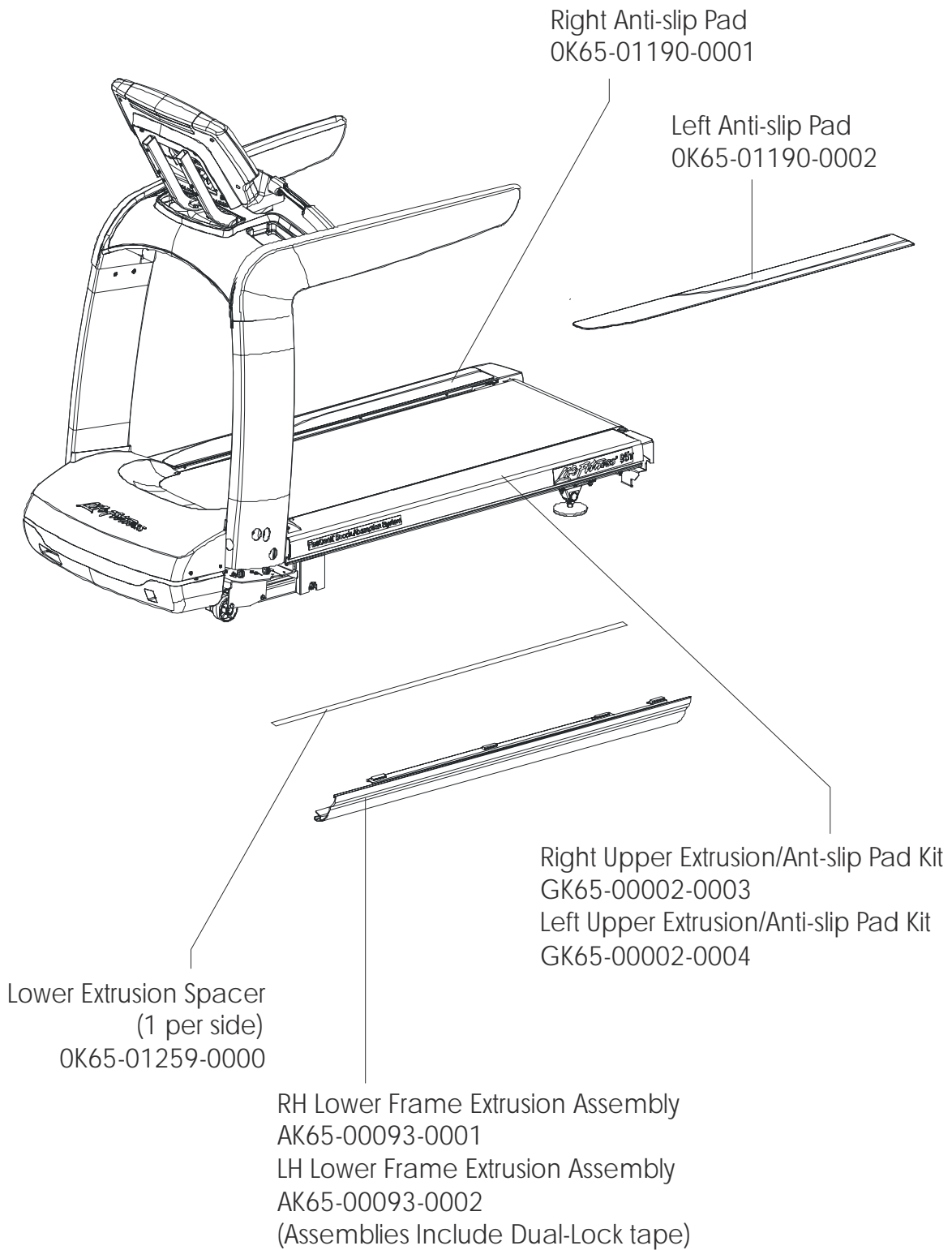
Miscellaneous .....	3
Rear End Caps.....	4
Anti-slip Pad and Extrusions .....	5
Console Assembly .....	6
Uprights and Covers .....	7
Bridge Covers and Activity Zone .....	8
Handrails and Covers .....	9
Console Bracket and Covers .....	10
Ergo Bar Components.....	11
Motor Pan Covers.....	12
Motor Pan Brackets .....	13
Belt, Deck, and Rollers.....	14
Deck Springs, Stride Sensor, and Roller Guards .....	15
Lift Motor and Hardware .....	16
Lift Frame and Wheels .....	17
DSP Motor Controller and Comm Port Plate Assembly .....	18
On/Off Switch, Home Switch, and Line Filter .....	19
Drive Motor Assembly.....	20
Idler Assembly and Drive Belt .....	21
Leg Leveler Assembly.....	22
Cables.....	23

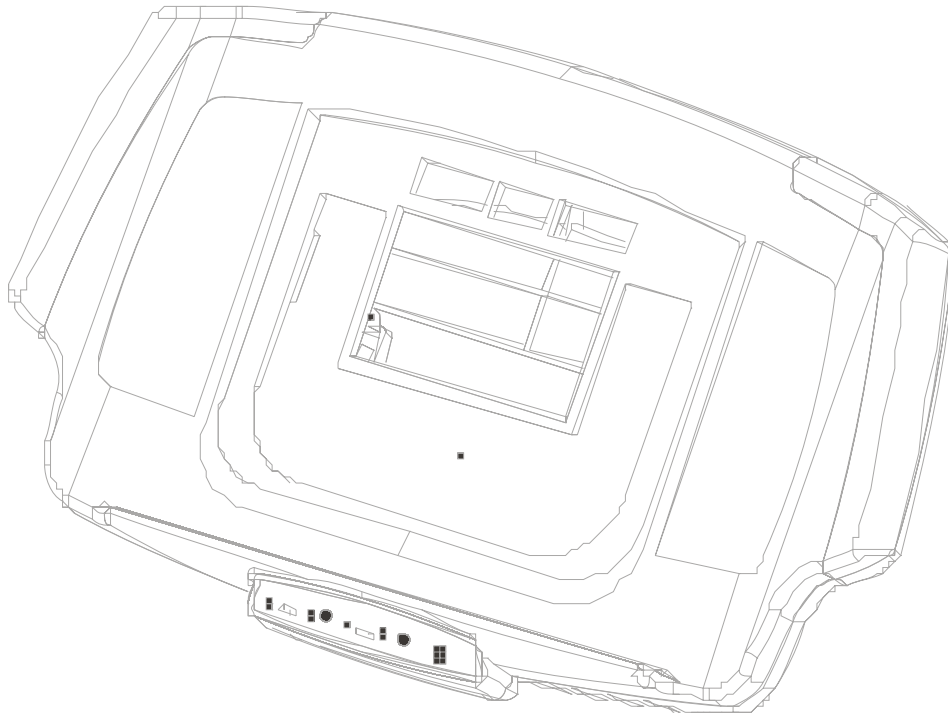
Description	Part No.
OPERATION MANUAL	M051-00K65-A001
HARDWARE BAG  BAG CONSISTS OF: C-SAFE Splitter SCREW - 8-18x12 SCREW - M6x1.00-6G6Gx20 SCREW - M6x1.00-6G6Gx35 SCREW - M12x1.75-6G6Gx30 SCREW - M6x1.00-6G6Gx14 SCREW - 10-16X8 SCREW - M3x.8-6G6Gx10 WASHER - M006.50 WASHER - M012.70	AK65-00025-0000  0017-00021-2740 0017-00101-1769 - 2 PCS. 0017-00101-1902 - 7 PCS. 0017-00101-1954 - 6 PCS. 0017-00101-1984 - 16 PCS. 0017-00101-1953 - 68 PCS. 0017-00101-1776 - 8 PCS. 0017-00101-1995 - 4 PCS. 0017-00104-0488 - 19 PCS. 0017-00104-0489 - 16 PCS.
TOUCH UP PAINT: SPRAY CAN .5 OZ BOTTLE W/APPLICATOR .33 OZ PEN	0017-00008-0204 0017-00008-0205 0017-00008-0206
LINE CORDS: Domestic Low Voltage Domestic High Voltage International High Voltage (Cont.) UK* Australia* China* Line cord Bracket - (INT only) SCREW - M4x.07-6G6Gx10 (INT only)	0017-00003-0980 0017-00003-0781 0017-00003-0696 0017-00003-0890 0017-00003-0996 0017-00003-1014 0K65-01131-0000 0017-00101-1968 - 2 PCS.

This treadmill has both Lifepulse hand sensors and telemetry and is pre-wired for attachable TV.

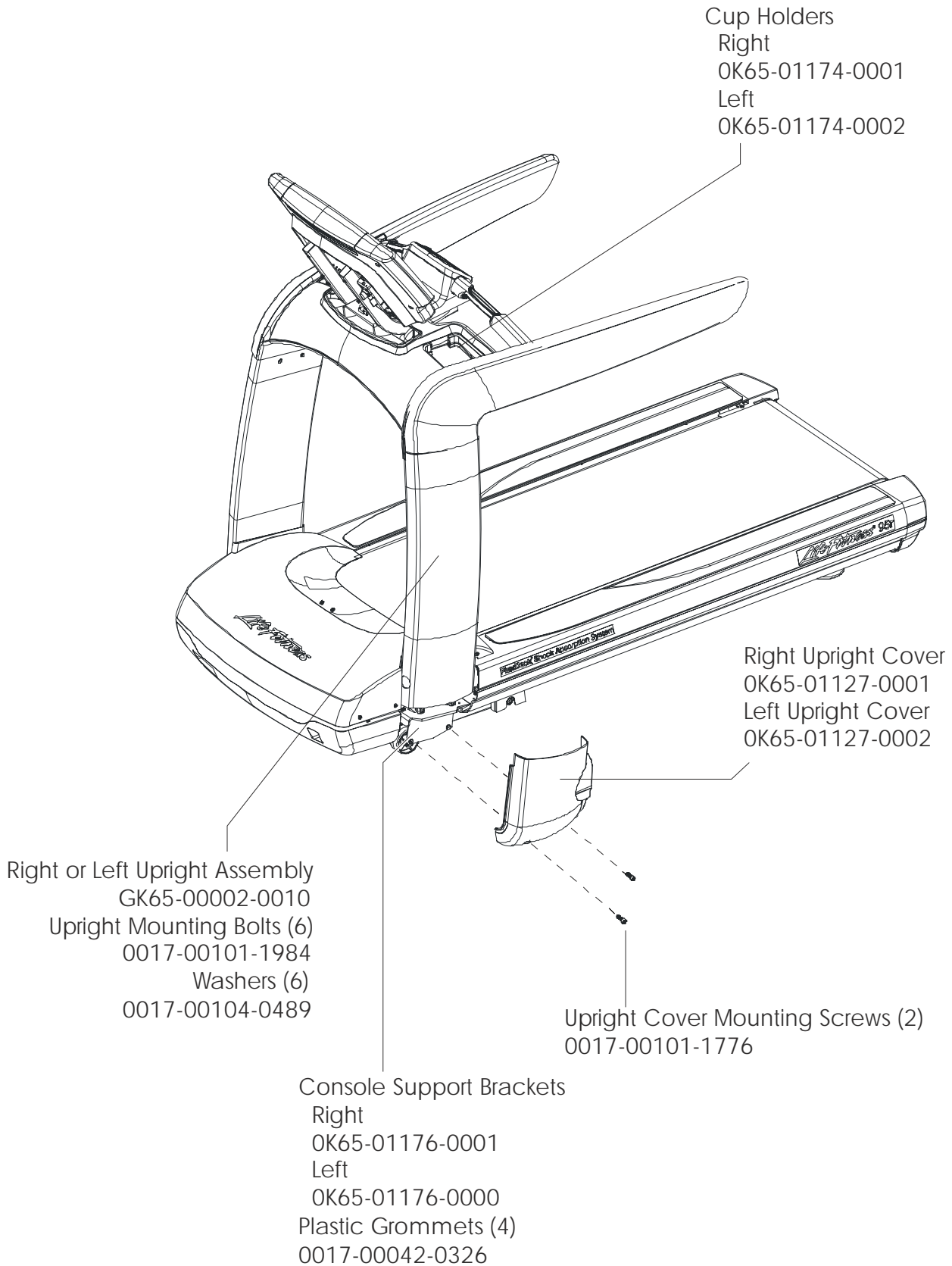
\* The UK, Australia, and Chinese line cords are included in the 95T-INTHX-01 ship kit.







Description	Part No.
LED TREADMILL CONSOLE - ENGLISH	LEDT-DOMXX-01
LED TREADMILL CONSOLE - INTERNATIONAL	LEDT-INTXX-01
7-INCH LCD TREADMILL CONSOLE DOM	07DT-DOMXX-01
7-INCH LCD TREADMILL CONSOLE INT	07DT-INTXX-01
15-INCH LCD TREADMILL CONSOLE DOM NTSC	15DT-DOMXN-01
15-INCH LCD TREADMILL CONSOLE NTSC	15DT-INTXN-01
15-INCH LCD TREADMILL CONSOLE PAL	15DT-INTXP-01



Top Bridge Cover  
OK65-01051-0000

Bottom Bridge Cover  
OK65-01052-0000

Bezel Access Door  
OK65-01053-0000

Bridge Access Door  
OK65-01208-0000

Bridge Cover Mounting Screws (10)  
0017-00101-1953

Cupholders

Right  
OK65-01174-0001

Left  
OK65-01174-0002

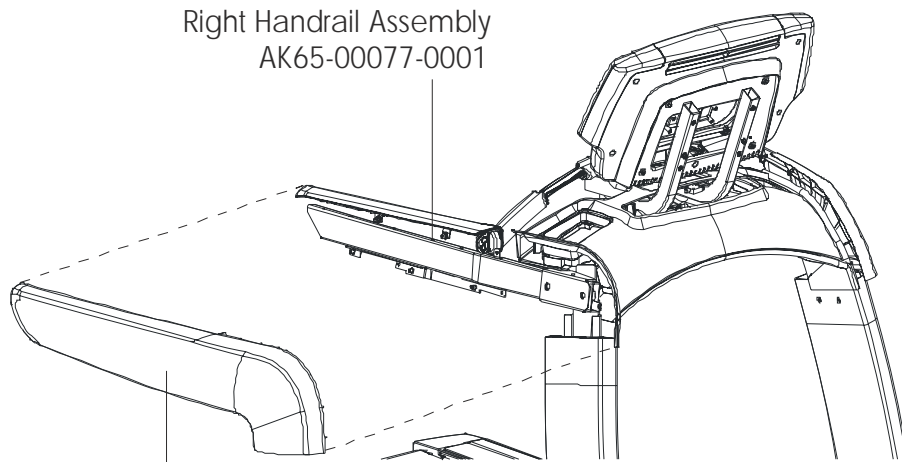
Activity Zone Assembly  
AK65-00015-0000

Mounting Screws (2)  
0017-00101-1954

Stop Switch and Tether Assembly  
(included in the Activity Zone Assembly)  
AK65-00037-0000

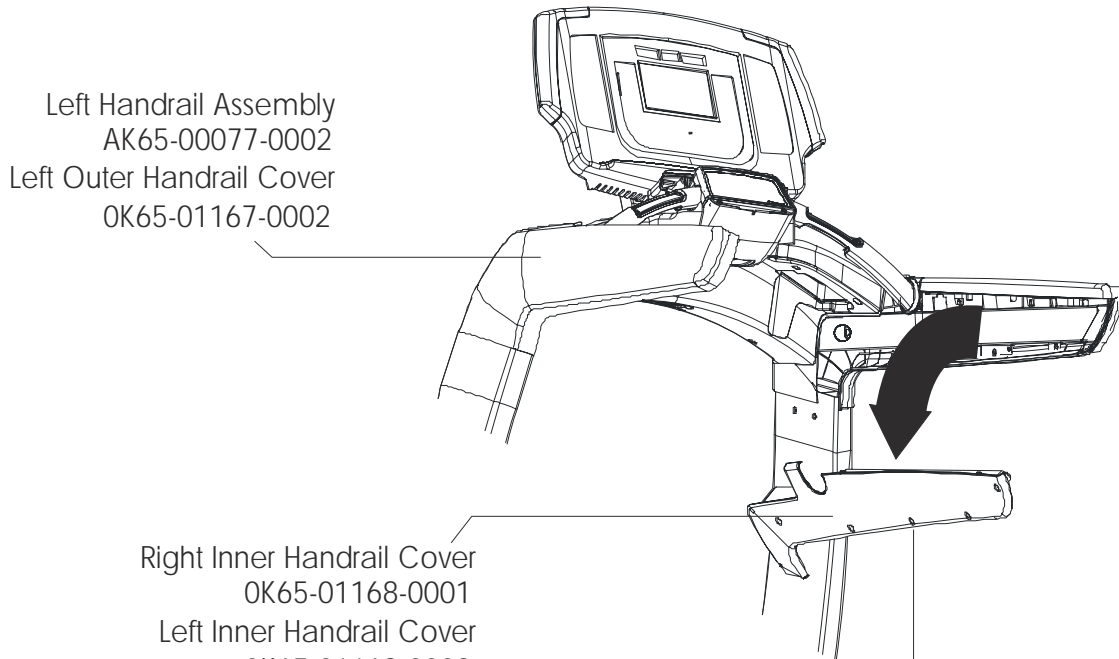






Right Handrail Assembly  
AK65-00077-0001

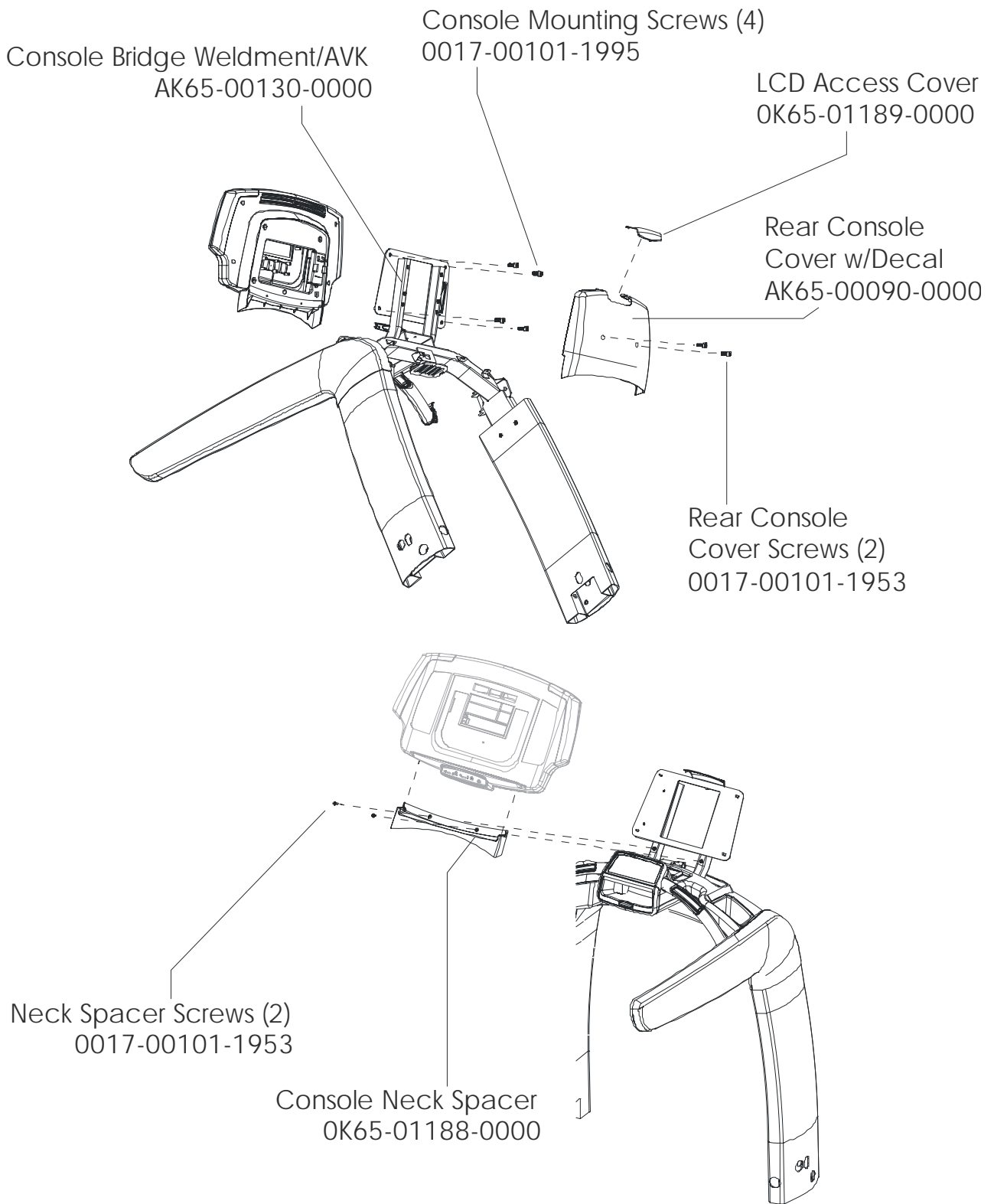
Right Outer Handrail Cover  
OK65-01167-0001  
Outer Handrail Mounting Screw  
(6 per cover)  
0017-00101-1953



Left Handrail Assembly  
AK65-00077-0002  
Left Outer Handrail Cover  
OK65-01167-0002

Right Inner Handrail Cover  
OK65-01168-0001  
Left Inner Handrail Cover  
OK65-01168-0002  
Inner Handrail Mounting screw  
(5 per cover)  
0017-00101-1953

Inner Handrail Plug  
OK65-01225-0000  
Bag of 10 plugs  
AK65-00101-0000



HR Sensor Kit: GK65-00002-0002  
(kit includes 4 sensors, sensor gasket, mounting screws)

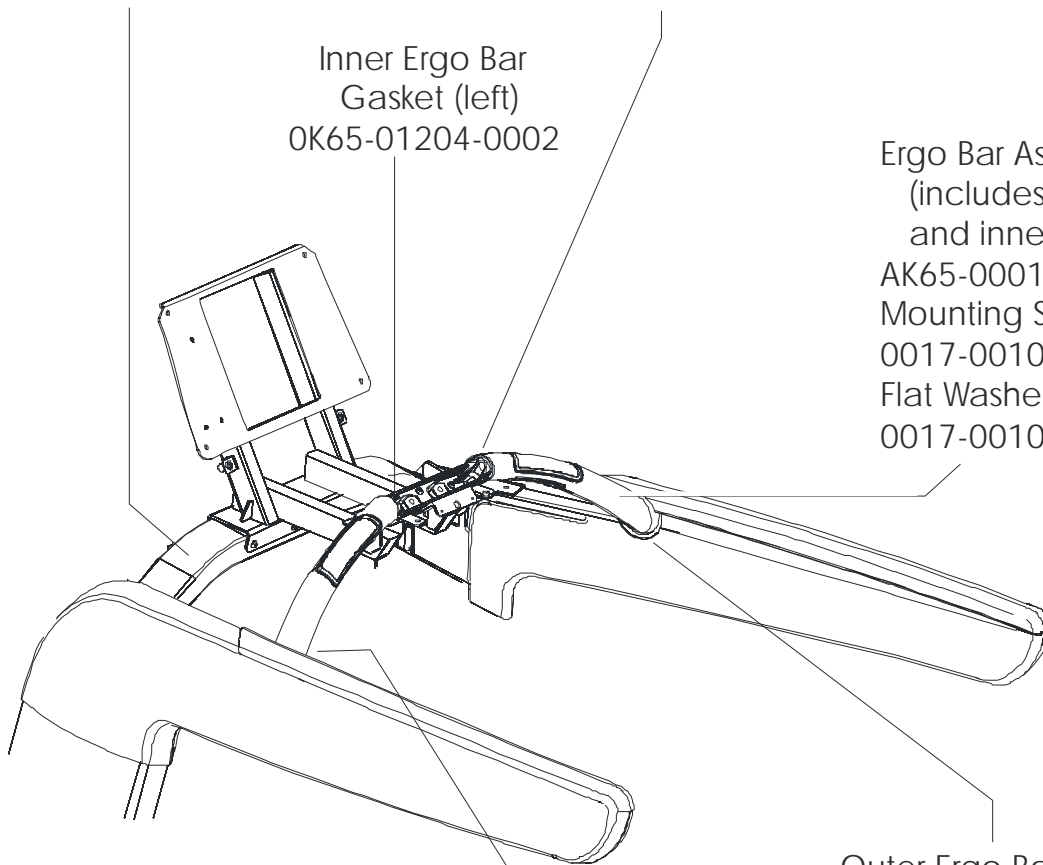
Bridge Weldment  
AK65-00129-0000

Bridge Weldment  
Mounting Screws (6)  
0017-00101-1984

Inner Ergo Bar Gasket (right)  
OK65-01204-0001

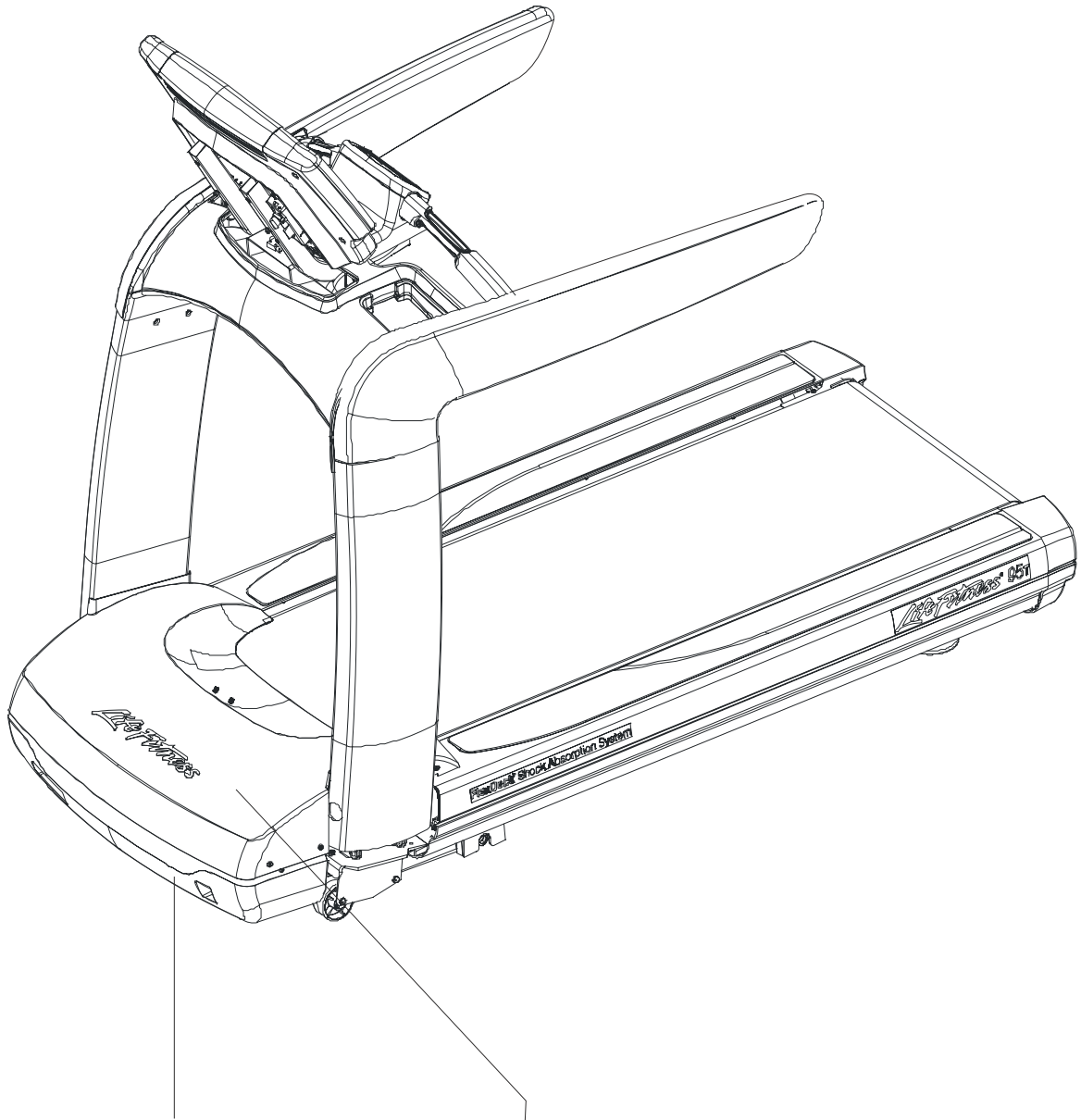
Inner Ergo Bar  
Gasket (left)  
OK65-01204-0002

Ergo Bar Assembly  
(includes HR sensors kit  
and inner Ergo bar gaskets)  
AK65-00014-0000  
Mounting Screws (4)  
0017-00101-1954  
Flat Washers (4)  
0017-00104-0488



Outer Ergo Bar Gasket (left)  
OK65-01203-0002

Outer Ergo Bar Gasket (right)  
OK65-01203-0001  
Heart Rate Electrodes Gaskets  
Front  
OK65-01133-0001  
Back  
OK65--1133-0002

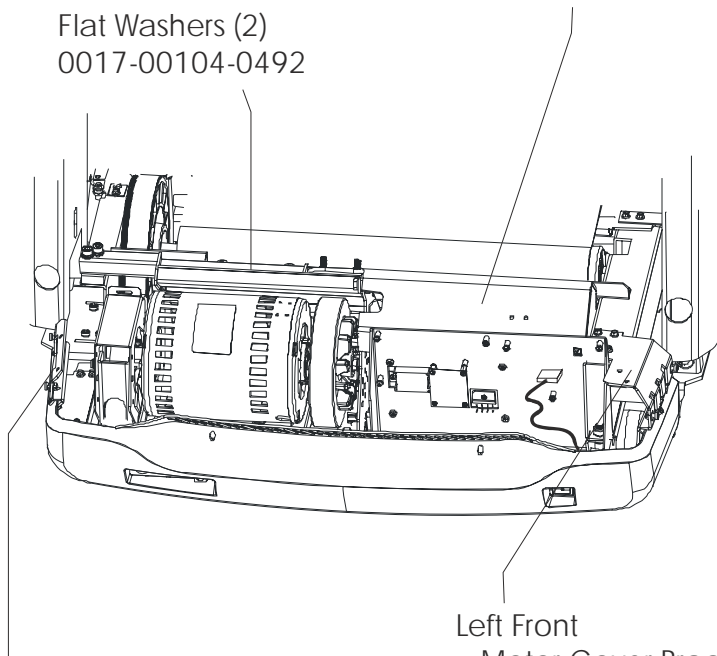


Bottom Motor Cover  
OK65-01126-0000  
Motor Cover Screws (4)  
0017-00101-1776

Top Motor Cover  
OK65-01125-0000  
Motor Cover Screws (4)  
0017-00101-1776

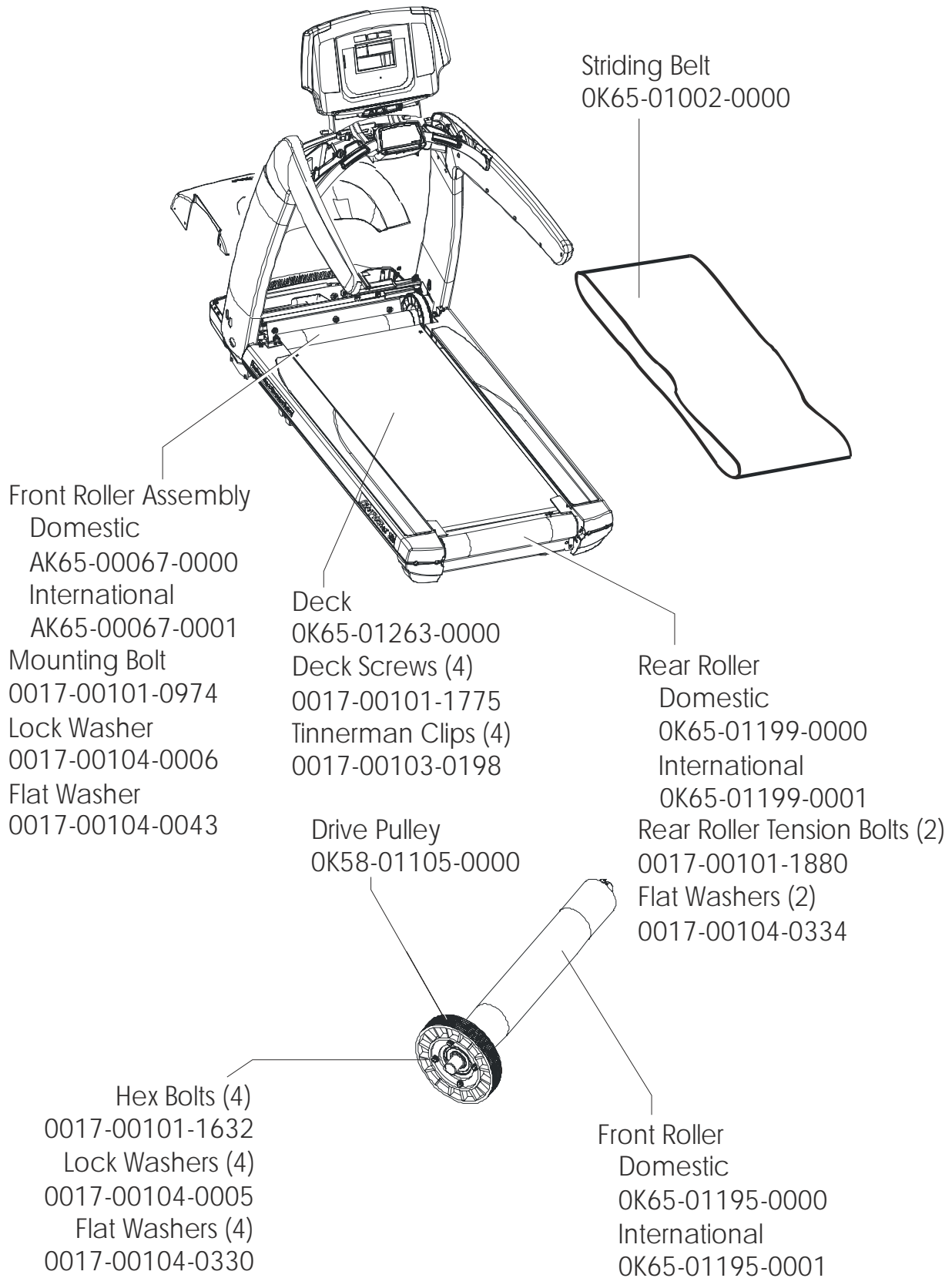
Actuator and Frame  
Tie Weldment  
AK65-00088-0000  
Flat Washers (5)  
0017-00104-0334  
Mounting Bolts (5)  
0017-00101-1983  
Lock Washers (5)  
0017-00104-0064  
Mounting Bolts (2)  
0017-00101-1982  
Flat Washers (2)  
0017-00104-0492

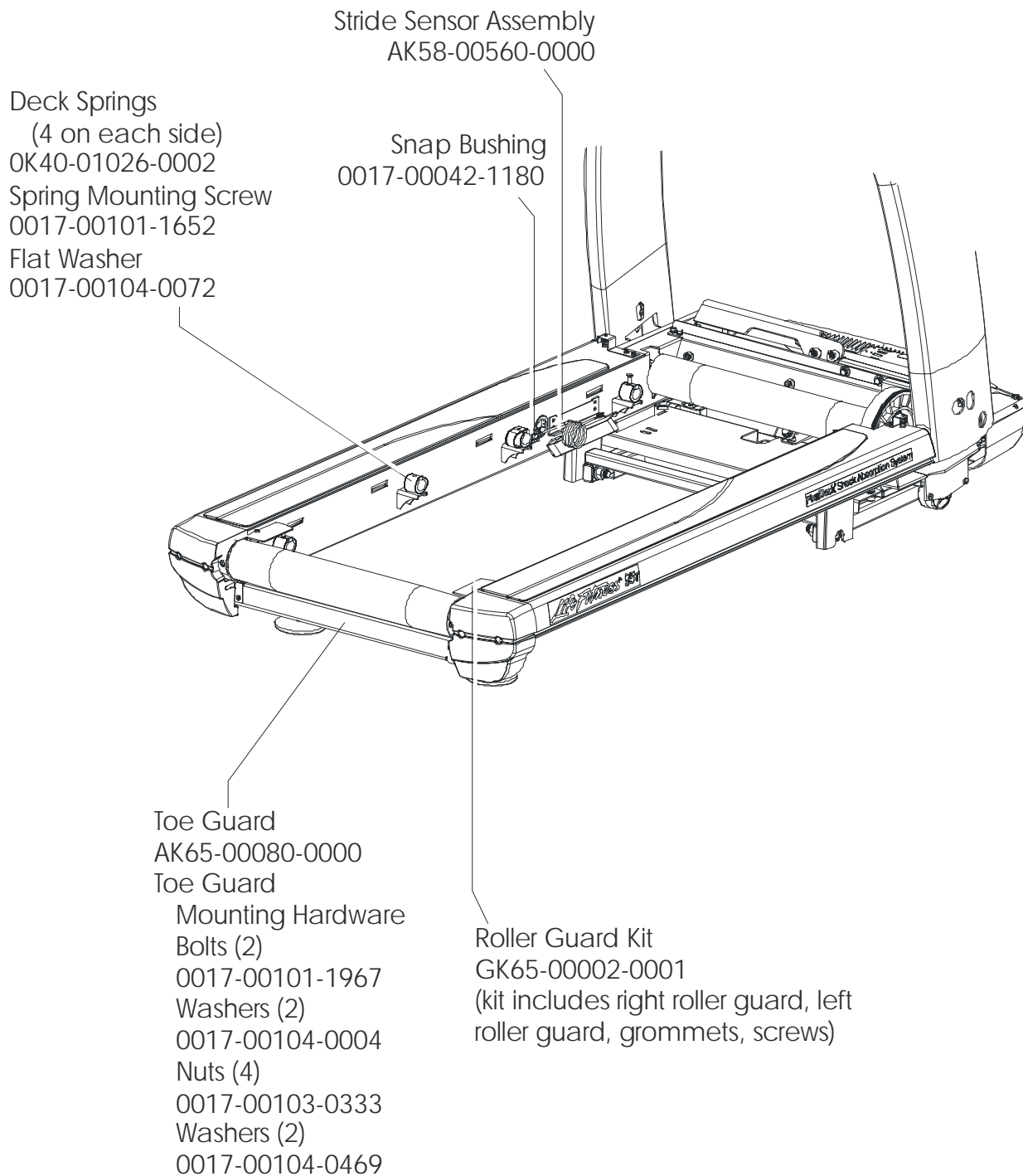
Bar Tie  
OK65-01187-0000  
Bar Tie Mounting Hardware  
Bolts (4)  
0017-00101-1959  
Nuts (4)  
0017-00103-0333  
Washers (4)  
0017-00104-0330  
Washers (4)  
0017-00104-0263

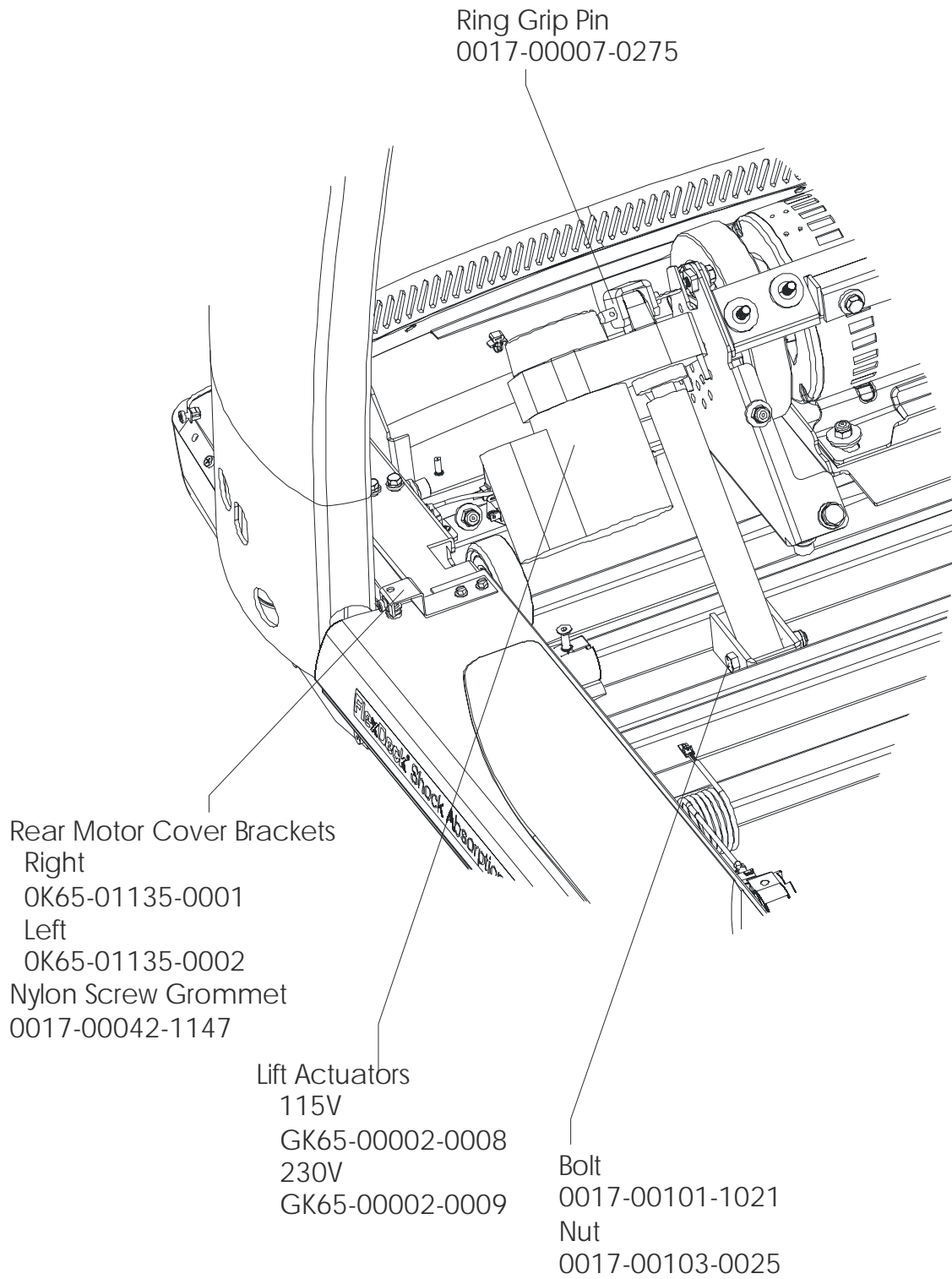


Right Front  
Motor Cover Bracket  
OK65-01134-0001  
Mounting Screws (3)  
0017-00101-1961  
Nylon Screw Grommet  
0017-00042-1147

Left Front  
Motor Cover Bracket  
OK65-01134-0002  
Mounting Screws (4)  
0017-00101-1961

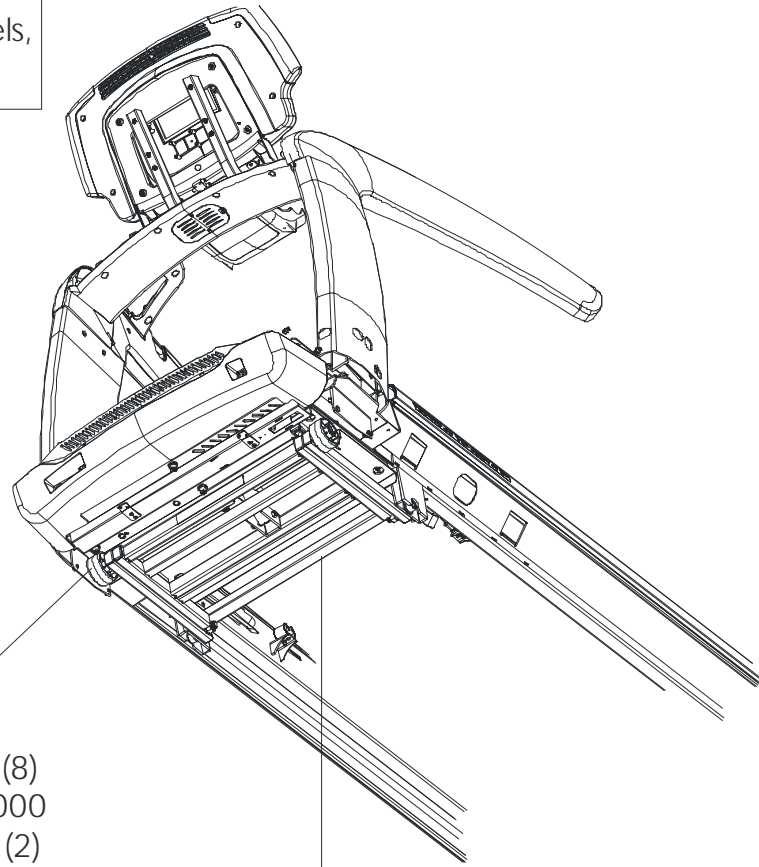






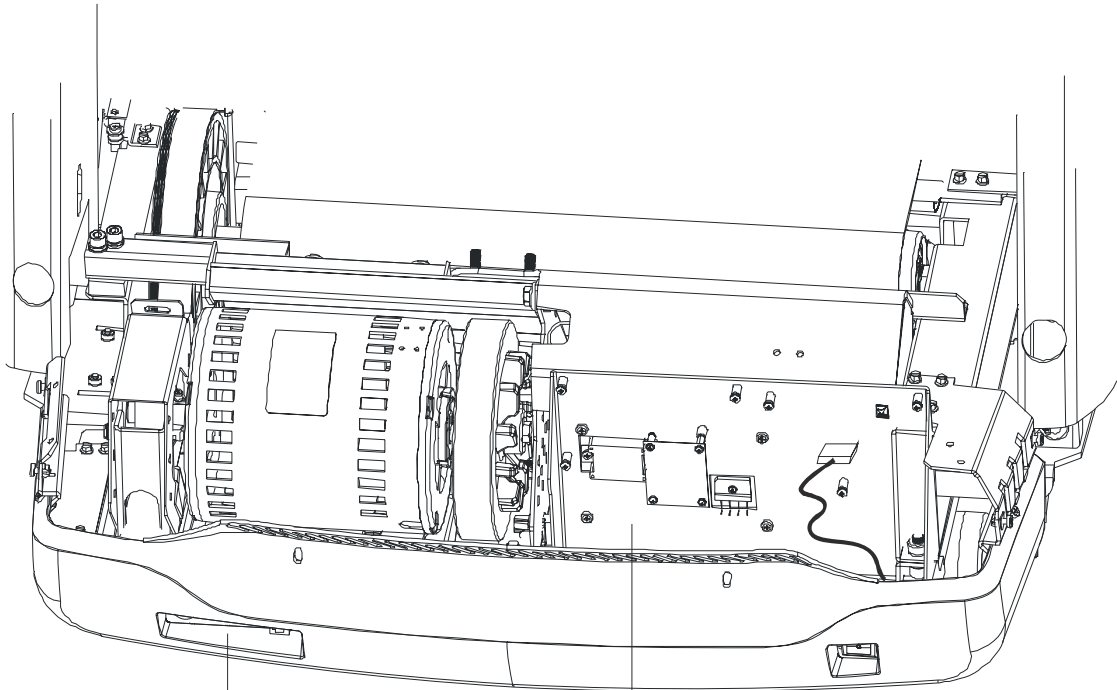


Lift Frame Assembly  
 AK65-00035-0000  
 (includes lift frame, wheels,  
 snap rings, end caps)



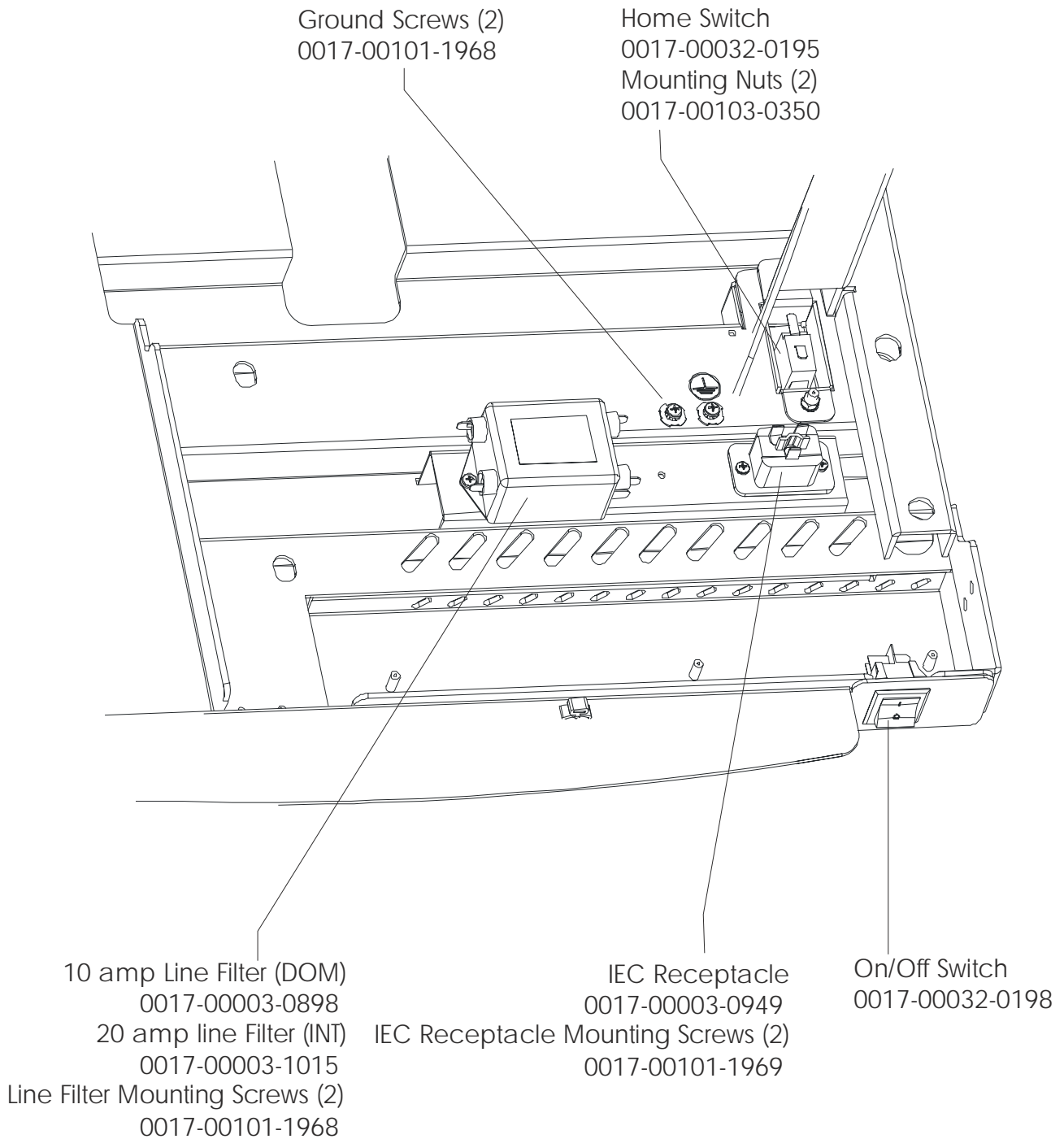
Tube End Caps (8)  
 OK60-01092-0000  
 Lift Wheels (2)  
 OK65-01245-0000  
 Snap-Rings (2)  
 0017-00100-0249

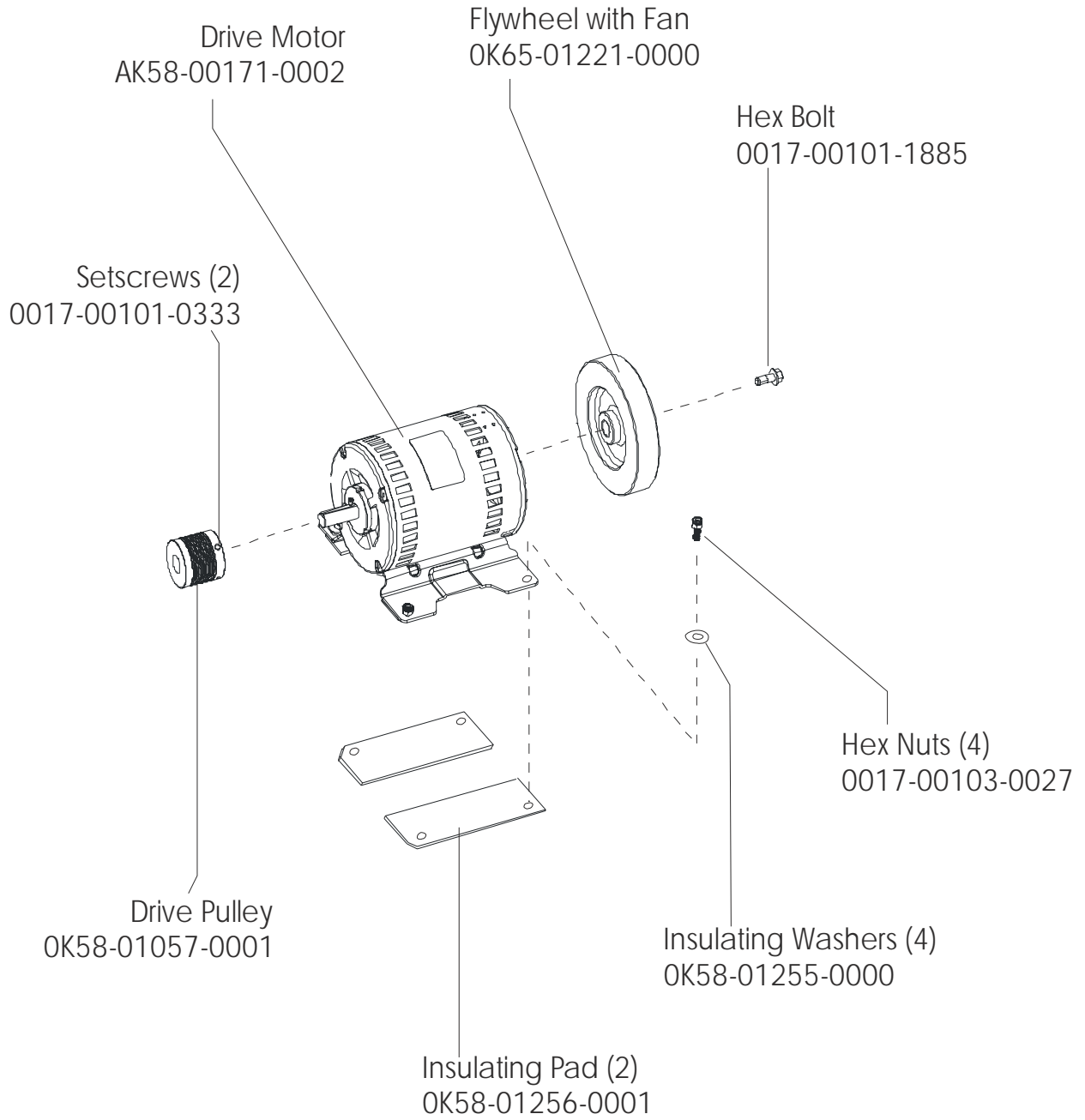
Painted Lift  
 Frame Weldment  
 AK65-00089-0001  
 Lift Frame Mounting Bolts (2)  
 0017-00101-1964  
 Lift frame Mounting Nuts (2)  
 0017-00103-0349  
 Washers (2)  
 0017-00104-0259  
 Sleeve Bushings (2)  
 OK65-01242-0000



Comm Port Plate Assembly  
AK65-00082-0000  
includes one of each:  
F-type Right Angle Adaptor  
0017-00021-2810  
F-type Panel Connector  
0017-00021-2846  
Phone Jack Panel Receptacle  
0017-00021-2847

DSP Motor Controller with Cable  
GK65-00002-0005 100-120V  
GK65-00002-0006 200-240V  
Hex Nut (3)  
0017-00103-0350



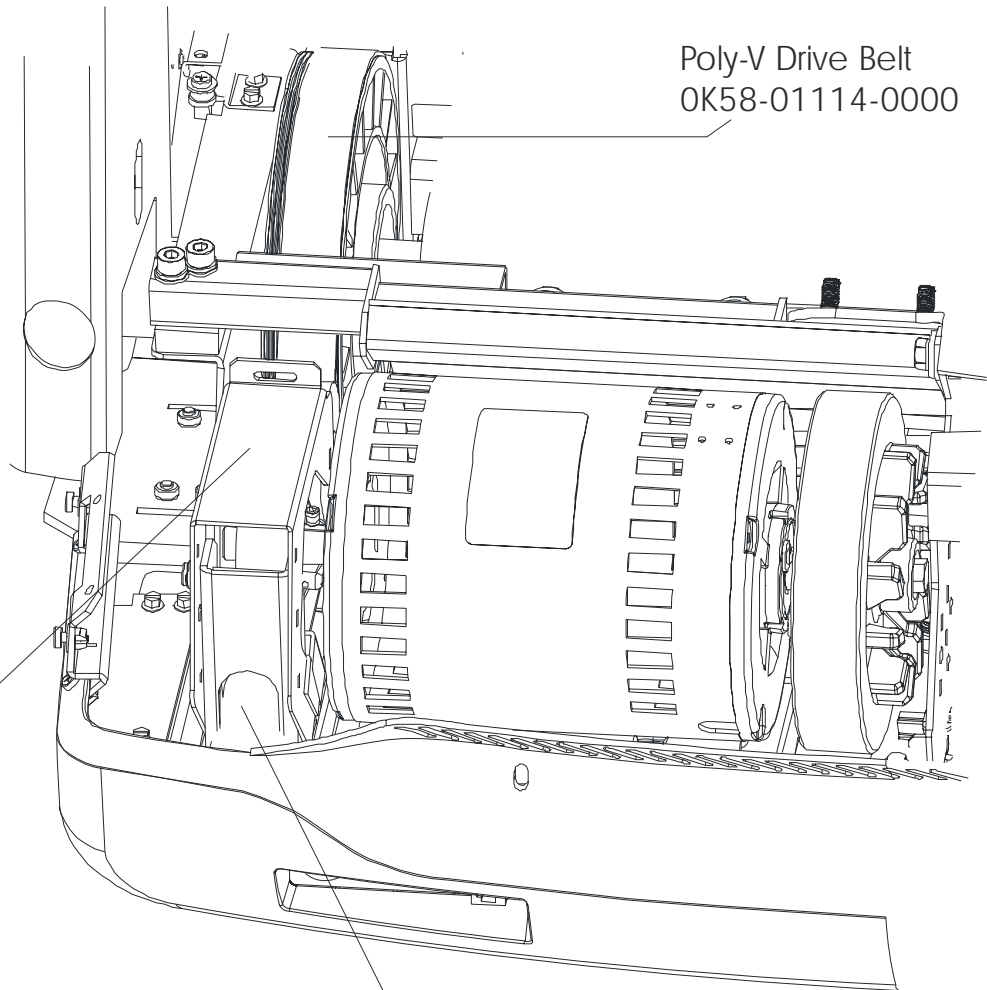


Idler Assembly  
AK65-00029-0000  
(includes idler bracket plastic  
idler, threaded shaft, nut)

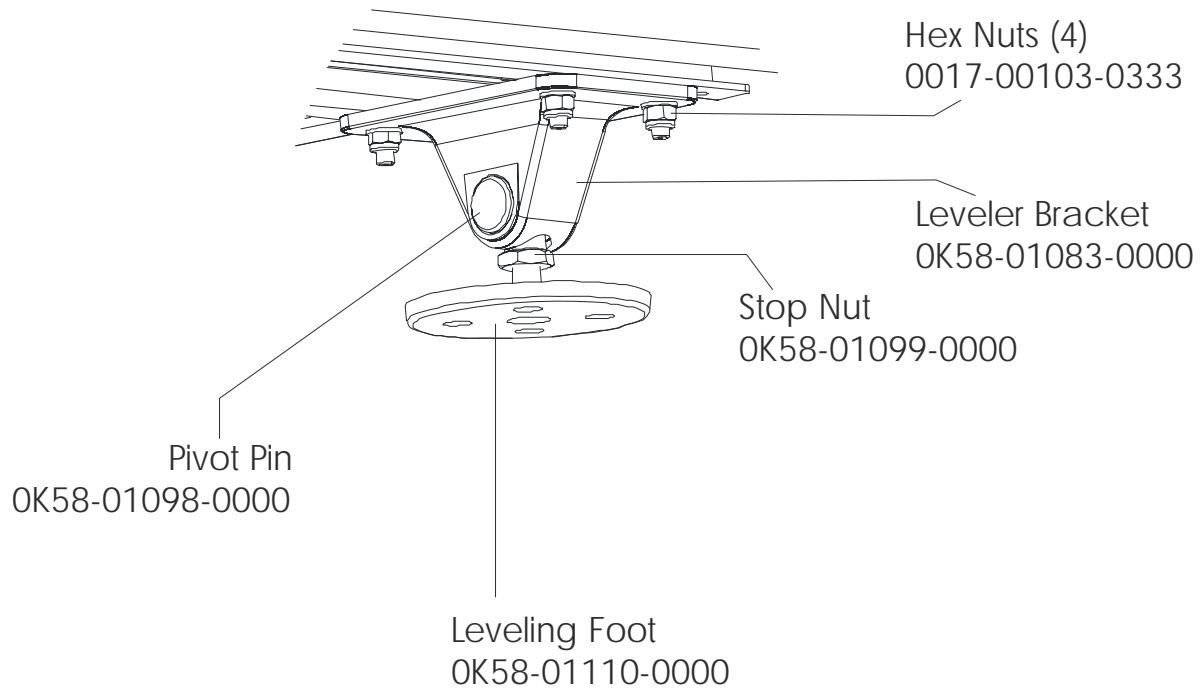
Poly-V Drive Belt  
OK58-01114-0000

Idler Bracket  
OK65-01113-0000  
Plastic Idler  
OK26-01731-0000  
Threaded Shaft  
OK58-01084-0002  
Nut  
0017-00103-0324  
Locking Pin  
0017-00007-0248  
Mounting Nuts (4)  
0017-00103-0333

Extension Spring  
OK58-01085-0000  
Spring Damper  
OK26-02055-0000



Leg Leveler Assembly  
AK58-00370-0000  
(includes leveler bracket pivot  
pin, stop nut, leveling foot)



Description	Quantity	Part No.
Green and yellow ground wire with spade lug on one end and ring terminal on the other; one goes from the IEC connector to the frame, the other from the line filter to the frame	2	AK26-00348-0000
External power cable with ferrite	1	AK32-00160-0000
75-inch RG6 coax cable	1	AK65-00062-0000
Main power cable from DSP to console	1	AK58-00034-0001
Mov filter cable with a two-pin connector on one end and a terminal on the other end of one green wire; it also has two spade lugs at the end of a varistor spliced to the other green wire	1	AK58-00224-0001
Hi-pot jumper cable has a two-pin connector with a green wire looped between the pins.	1	AK58-00263-0000
Cable from MIB in console to Activity Zone	1	AK65-00043-0001
Heart rate Ergo bar cable	1	AK65-00047-0000
20-inch C-SAFE cable; from splitter to console	1	AK65-00051-0000
65-inch C-SAFE upright cable; runs from the base to the splitter in the bridge assembly	1	AK65-00051-0001
Cable from on/off switch to motor controller (domestic)	1	AK65-00073-0000
Cable from on/off switch to motor controller (international)	1	AK65-00073-0001
Cable assembly; power DSP, high voltage (international)	1	AK65-00073-0002
Home switch cable from home switch to motor controller	1	AK65-00074-0000
AC power cable with an IEC connector on one end and a ring terminal on the green/yellow wire; spade lugs on the brown and blue wires	1	AK65-00081-0000

Description	Quantity	Part No.
Black and white wires with spade lug on each end; from line filter to IEC connector	1	AK65-00094-0000
Line filter to switch cable with a black and white wire that has spade lugs on one end and flag-type spade lugs on the other	1	AK65-00095-0000
Harness Assembly 120/60 20A components: AK26-00348-0000 Outlet/Gnd Jumper Cable Assembly AK58-00224-0001 MOV Filter Cable Assembly AK58-00263-0000 Hi Pot Jumper cable Assembly AK65-00081-0000 AC Power cable Assembly AK65-00094-0000 IEC to filter cable Assembly AK65-00095-0000 Filter to switch cable Assembly 0017-00003-1015 Line filter 20A	1	AK65-00011-0001
Harness Assembly 230/50 10A components: AK26-00348-0000 Outlet/Gnd Jumper Cable Assembly AK58-00224-0001 MOV Filter Cable Assembly AK58-00263-0000 Hi Pot Jumper cable Assembly AK65-00081-0000 AC Power cable Assembly AK65-00094-0000 IEC to filter cable Assembly AK65-00095-0000 Filter to switch cable Assembly 0017-00003-0898 Line filter 10A	1	AK65-00011-0002
Harness Assembly 220/60 20A components: AK26-00348-0000 Outlet/Gnd Jumper Cable Assembly AK58-00224-0001 MOV Filter Cable Assembly AK58-00263-0000 Hi Pot Jumper cable Assembly AK65-00081-0000 AC Power cable Assembly AK65-00094-0000 IEC to filter cable Assembly AK65-00095-0000 Filter to switch cable Assembly 0017-00003-1015 Line filter 20A	1	AK65-00011-0003